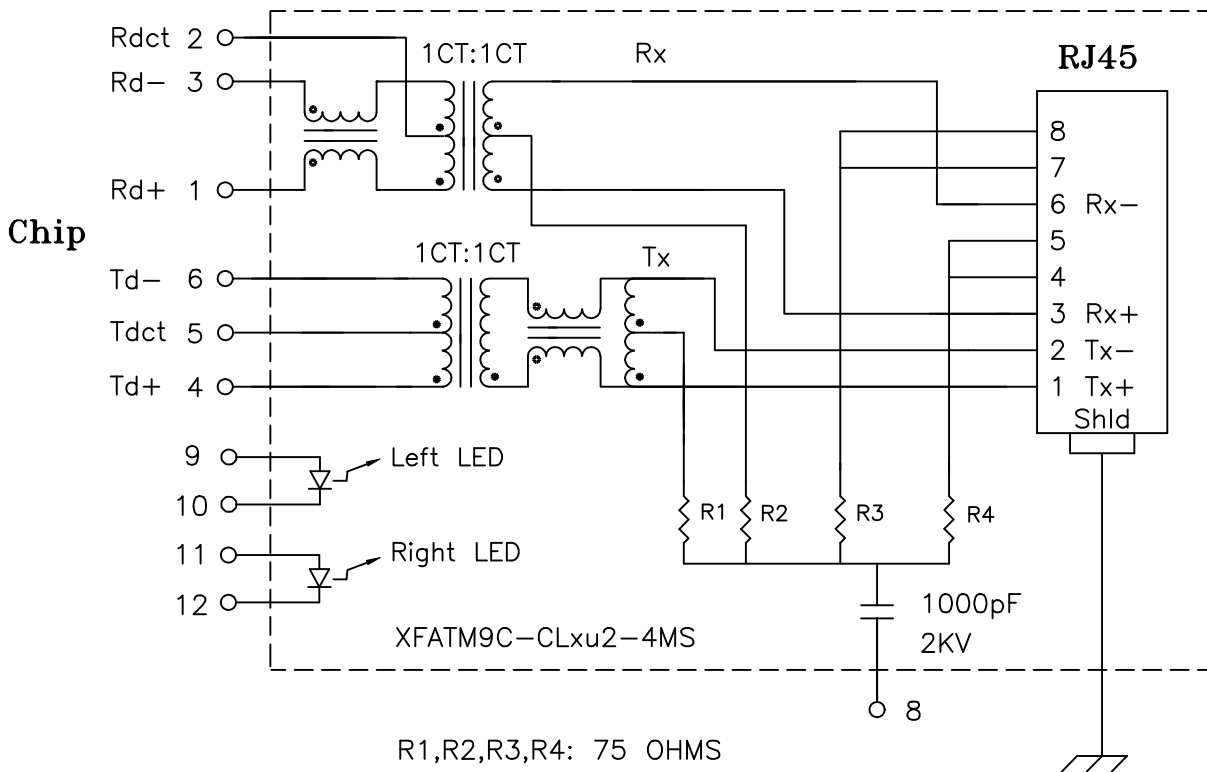


Schematic:



Electrical Specifications: @25°C

Isolation Voltage: 1500 Vrms (Input to Output)
 Isolation Voltage: 500 Vrms (P1+2+3 to P4+5+6)
 Turns Ratio: TX 1CT:1CT $\pm 3\%$ RX 1CT:1CT $\pm 3\%$
 CABLE SIDE OCL: 350uH Minimum @100KHz 100mV 8mADC
 Cw/w: 27pF Typical @100KHz 100mV
 Insertion Loss (300KHz-100MHz): 1.0dB Max.
 Return Loss: @30MHz 18dB Minimum
 @80MHz 12dB Minimum

Notes:

1. Solderability: Leads shall meet MIL-STD-202, Method 208D for solderability.
2. Flammability: UL94V-0
3. ASTM oxygen index: > 28%
4. Operating Temperature Range: -40°C to +85°C

Complete the Combo P/N as follows:

Replace 'x' & 'u' in the part number with one of the five LED color letters:

'x' = Left LED Color
 'u' = Right LED Color

Y=Yellow
 G=Green
 A=Amber
 R=Red
 YG=Yellow/Green Bicolor

DOC. REV: A/1

XFMRs Inc.

Title: **DUAL PORT COMBO**

UNLESS OTHERWISE SPECIFIED

P/N: XFATM9C-CLxu2-4MS

REV. A

TOLERANCES:
 .xxx ± 0.010

DWN.

廖玉坤

Aug-23-02

Dimensions in Inch

CHK.

李清儿

Aug-23-02

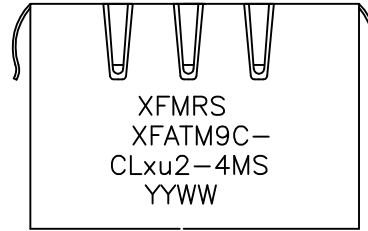
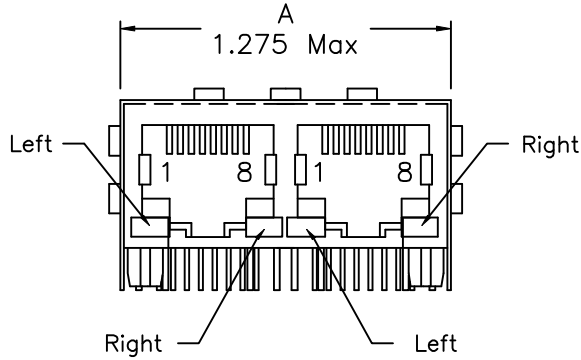
SHEET 1 OF 2

APP.

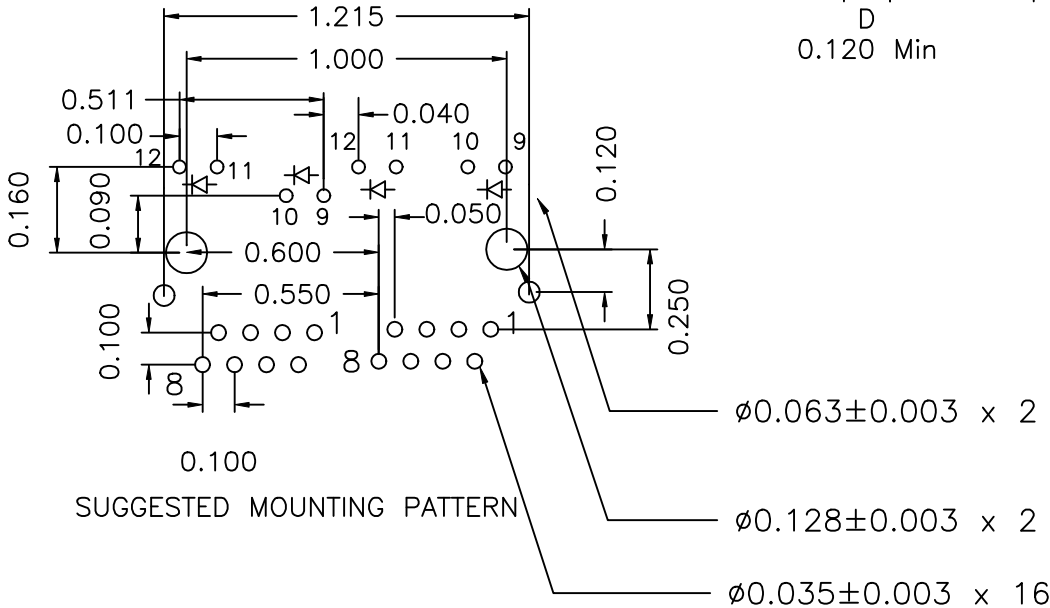
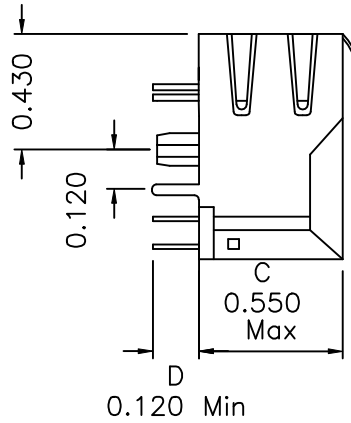
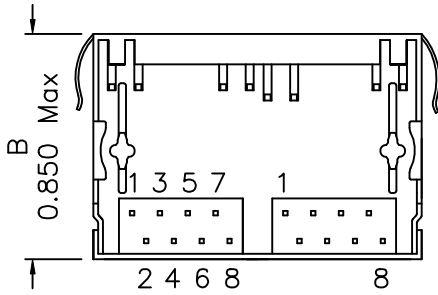
BW

Aug-23-02

Mechanical Dimensions: (FOR CLxu2-4MS)



TOP VIEW



XFMRS Inc.	Title: Mechanical Dimensions For CLxu2-4MS Series		
	UNLESS OTHERWISE SPECIFIED TOLERANCES: .xxx ±0.010	P/N: XFATM9C-CLxu2-4MS	REV. A
Dimensions in Inch	DWN.	李小锋	Aug-23-02
	CHK.	廖玉坤	Aug-23-02
SHEET 2 OF 2	APP.	BW	Aug-23-02

DOC REV: A/1